

Product Pushing/ Part Ejection

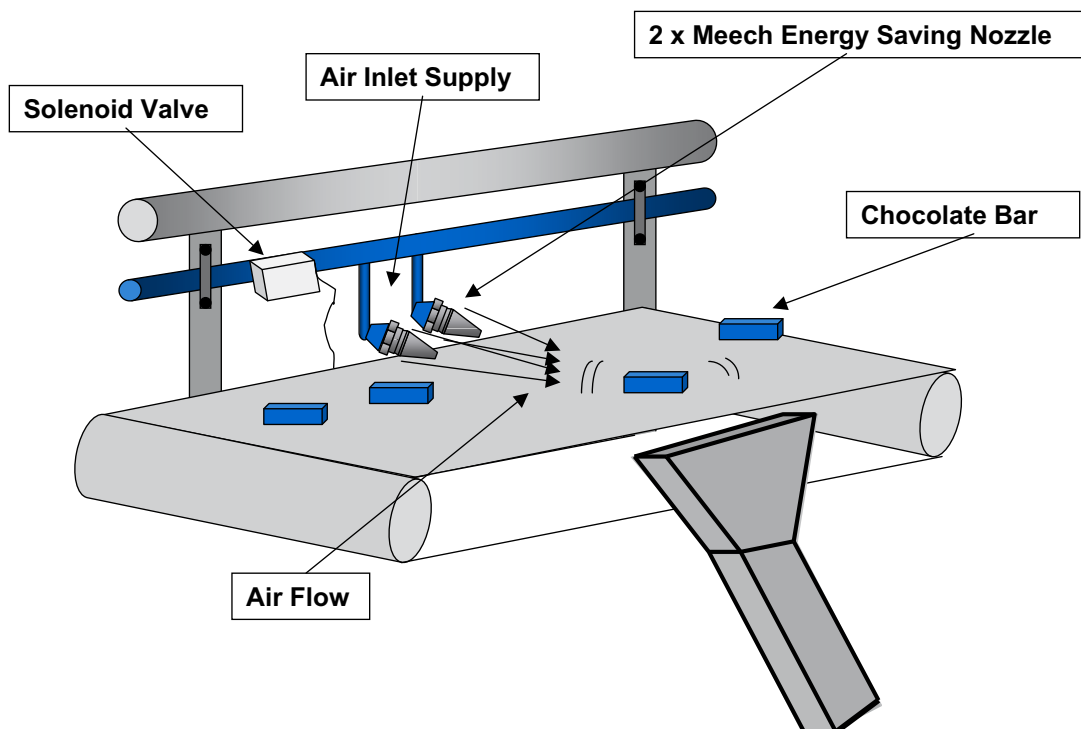
Energy Saving Safety Nozzle & Blow Gun



MAT - Energy Saving Safety Nozzle
& Blow Gun - Product Pushing/Part
Ejection - ISSUE 1/EN-01/10

Application/ Problem

Meech Nozzles can be used to remove items from a conveyor line or in conjunction with a solenoid pulse to remove selected individual items on a production run.



Example/Solution

A chocolate manufacturer has an inspection process that removes substandard items from the line. By using a Solenoid pulse and Meech Air Nozzle the products can be blown off the line with minimal disruption. An additional benefit is that Meech Nozzles are more efficient and cheaper to run than alternative solutions.

Products shown in this document may be covered by one or more patents, patents applied for and/or registered designs and/or trade marks. For further information please refer to our Head Office or visit www.meech.com.

Meech International

UK: +44 1993 706 700
Hungary: +36 27 535 075

USA: +1 330 564 2000
China: +86 21 6119 6725

Belgium: +32 8067 0204

email: sales@meech.com
web: www.meech.com

© Meech Static Eliminators Ltd 2010

