

# Cabinet/ Panel Cooling

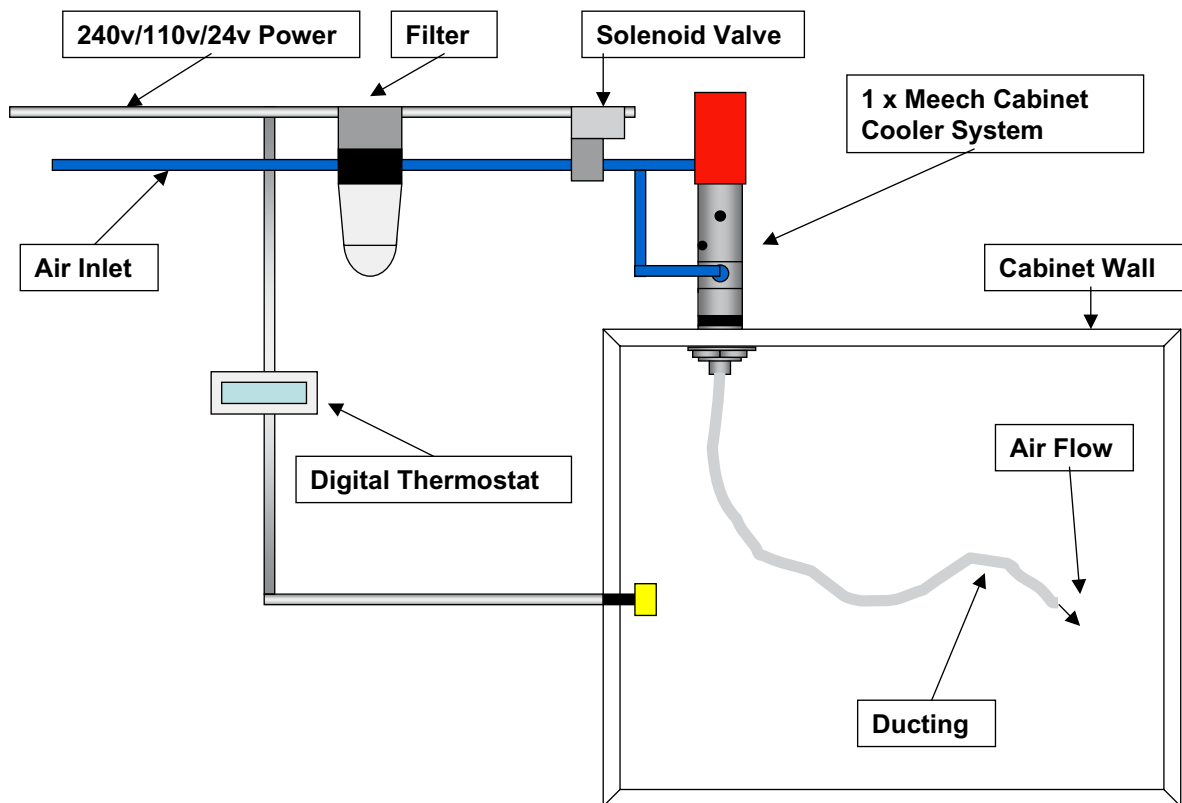
Cabinet Cooler



MAT - Cabinet Cooler - Cabinet/  
Panel Cooling - ISSUE 1/EN-01/10

## Application/ Problem

Cabinet Coolers are used predominantly to cool small enclosed areas. This can be in a number of industrial areas including: Industrial PC cooling, CCTV cooling, control panel cooling, product chilling cabinets.



## Example/Solution

A carbon-processing factory has an electrical control cabinet which is sited in a problem area. The issues included the machine continually tripping out due to overheating which led to costly downtime and Carbon ingress from the ambient air being drawn in by the fans which caused the electrical circuitry to short out. Conventional electric cabinet cooling fans couldn't be used due to the high ambient factory temperature. They also breached the integrity of EMC shielding. A Cabinet Cooler system allowed a supply of clean dry compressed air to cool the unit safely. It also maintained the integrity of EMC shielding. The sealed air of this Cabinet Cooler also removed the risk of contaminants, entering the cabinet. This prevented further electrical short outs, keeping the internal circuitry of the cabinet clean and reducing the level of maintenance.

Products shown in this document may be covered by one or more patents, patents applied for and/or registered designs and/or trade marks. For further information please refer to our Head Office or visit [www.meech.com](http://www.meech.com).

Meech International

UK: +44 1993 706 700  
Hungary: +36 27 535 075

USA: +1 330 564 2000  
China: +86 21 6119 6725

Belgium: +32 8067 0204

email: [sales@meech.com](mailto:sales@meech.com)  
web: [www.meech.com](http://www.meech.com)

© Meech Static Eliminators Ltd 2010

